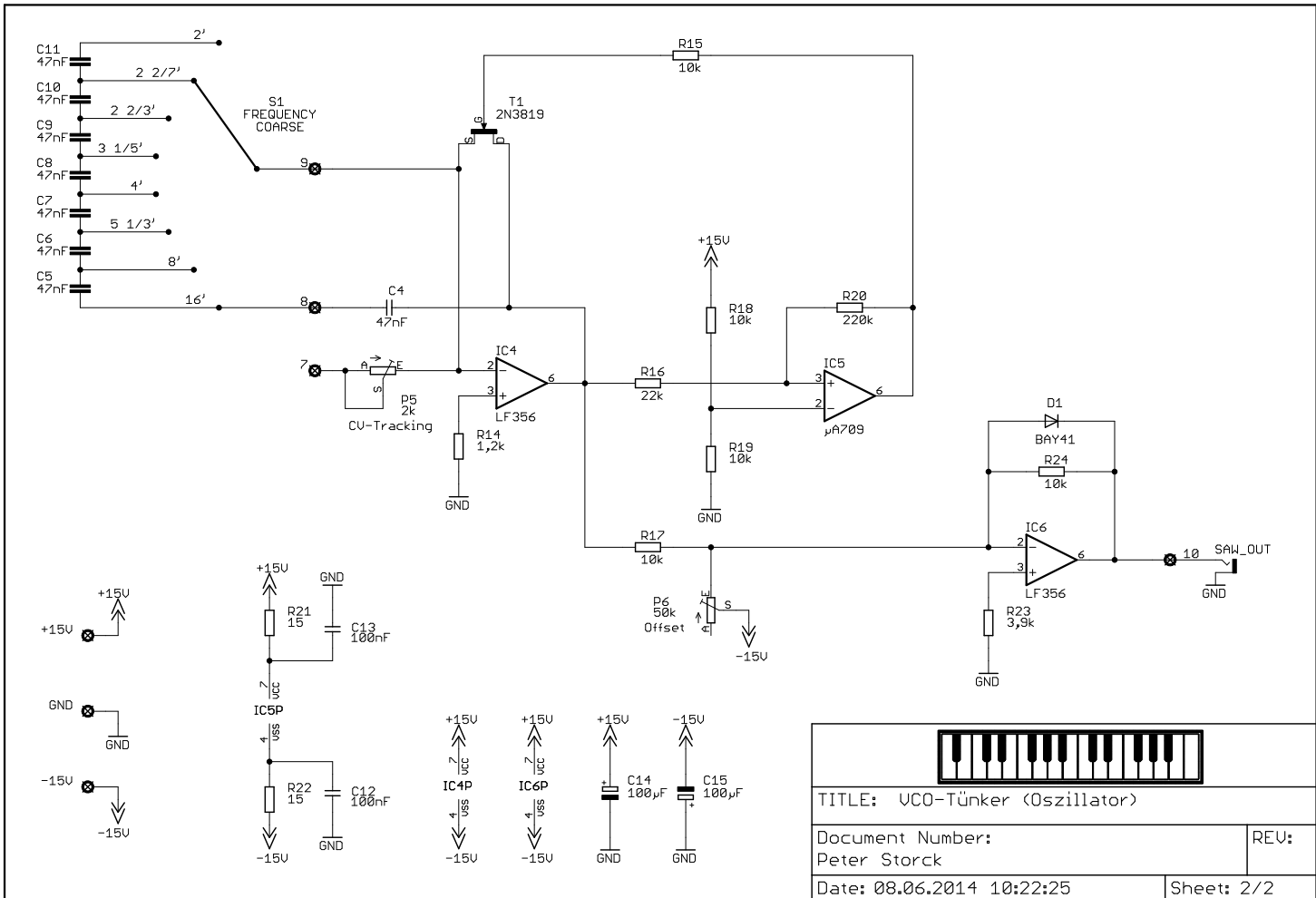


TITLE: UCO-Tünker (Antilog)	
Document Number: Peter Storck	REV:
Date: 08.06.2014 10:21:19	Sheet: 1/2



TITLE: UCO-Tünker (Oscillator)	
Document Number: Peter Storck	REV:
Date: 08.06.2014 10:22:25	Sheet: 2/2