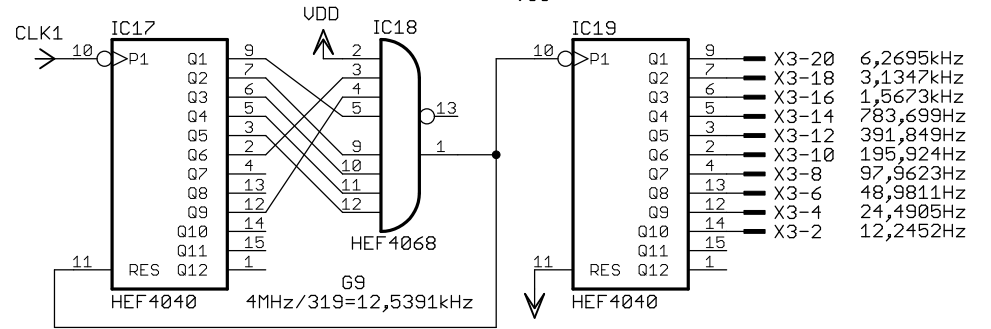
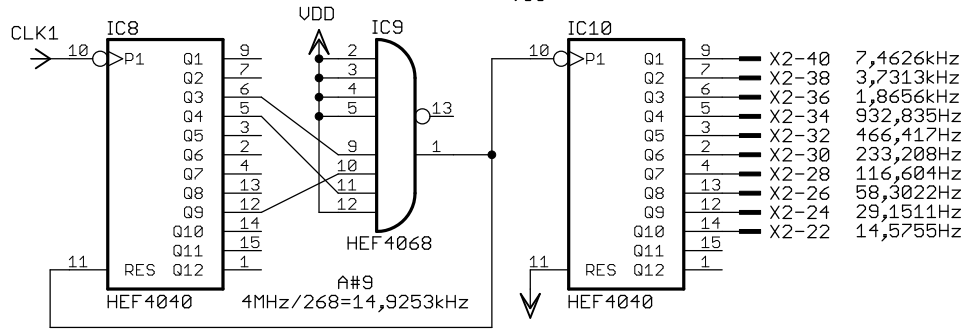
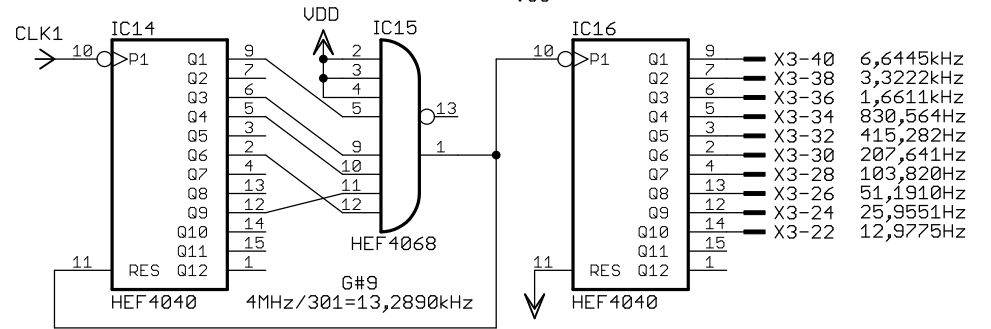
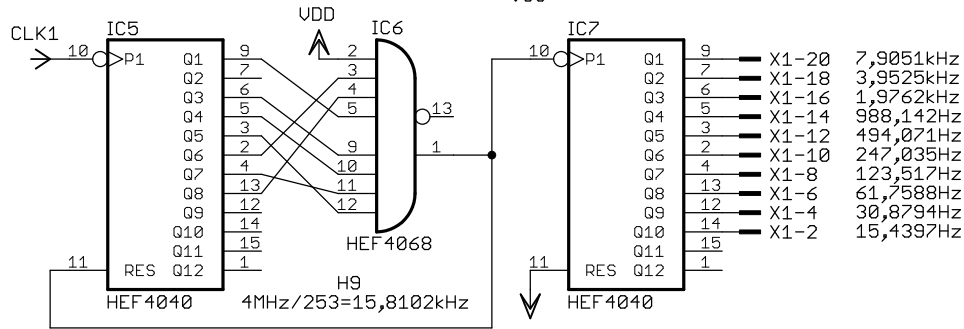
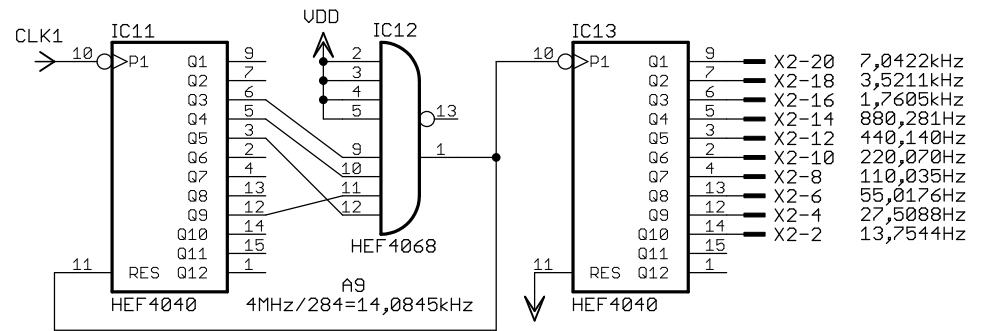
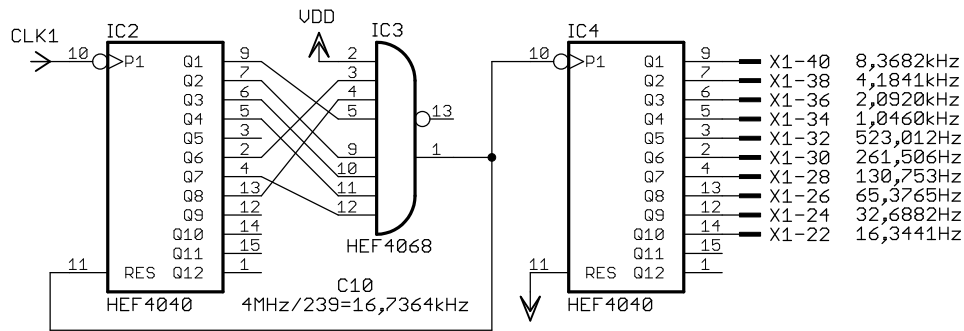


TITLE: Top-Octave-Generator	
Document Number: Peter Storck	REU:
Date: 13.01.2015 18:56:26	Sheet: 1/3



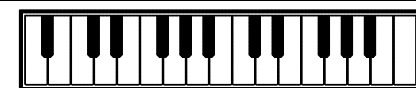
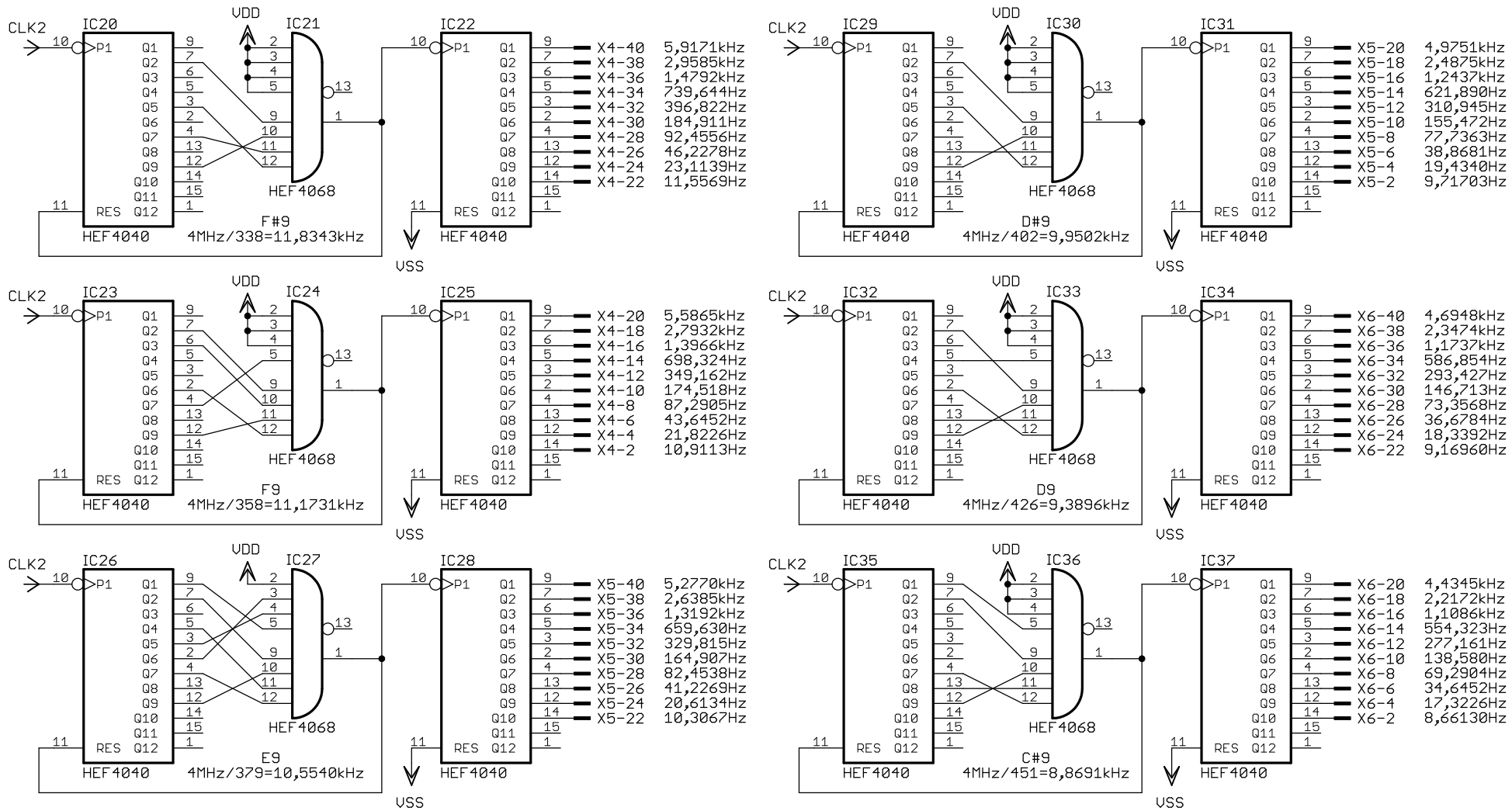
TITLE: Top-Octave-Generator

Document Number: Peter Storck

Date: 13.01.2015 18:56:26

REU:

Sheet: 2/3



TITLE: Top-Octave-Generator

Document Number: Peter Storck

Date: 13.01.2015 18:56:26

REU:

Sheet: 3/3