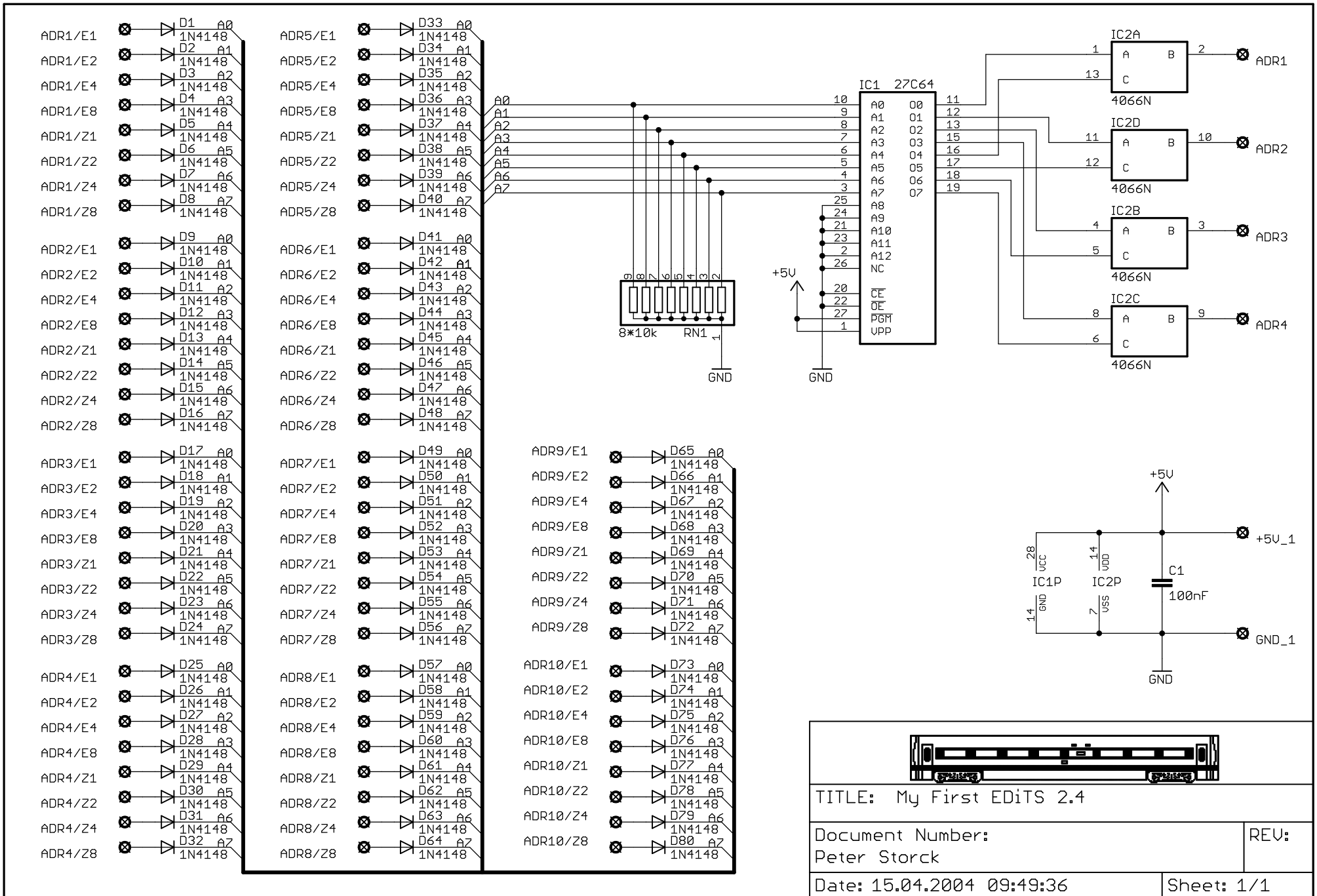


TITLE: My First EDiTS 1.4	
Document Number: Peter Storck	REV: 1/1
Date: 15.04.2004 12:15:24	Sheet: 1/1

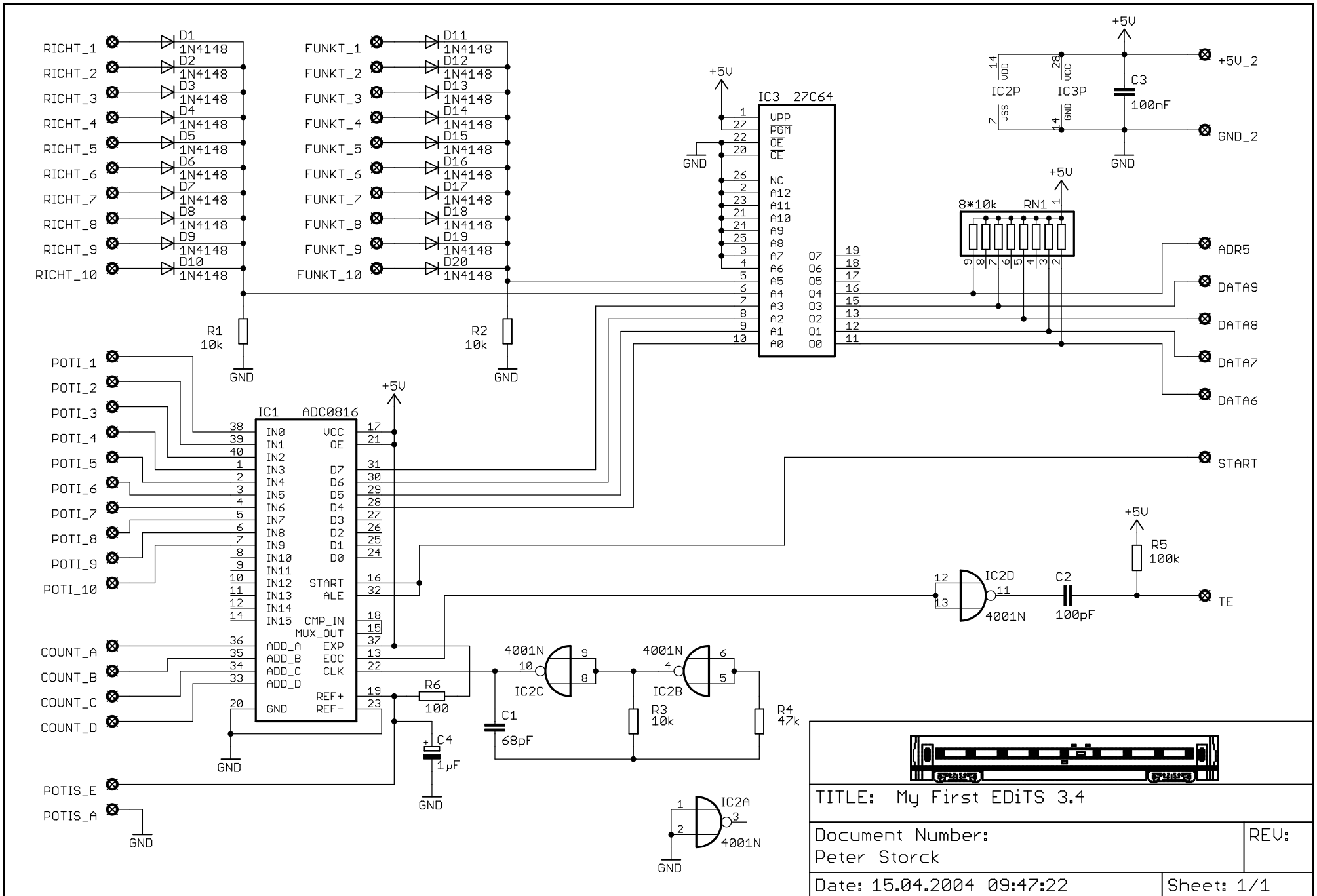


TITLE: My First EDiTS 2.4

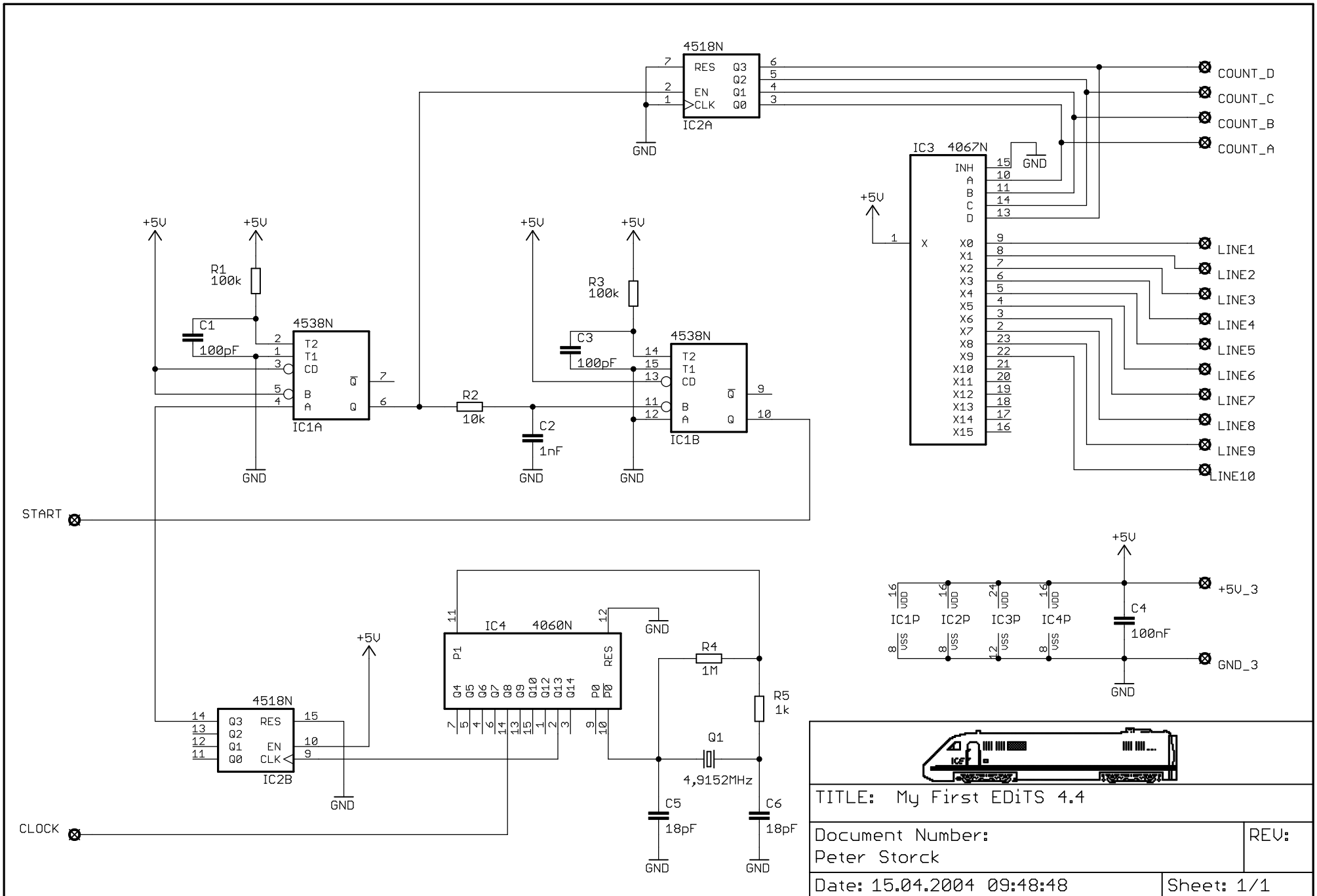
Document Number: Peter Storck


Date: 15.04.2004 09:49:36

REV: Sheet: 1/1



TITLE: My First EDiTS 3.4	
Document Number: Peter Storck	REV:
Date: 15.04.2004 09:47:22	Sheet: 1/1



	
TITLE: My First EDiTS 4.4	
Document Number: Peter Storck	REV:
Date: 15.04.2004 09:48:48	Sheet: 1/1